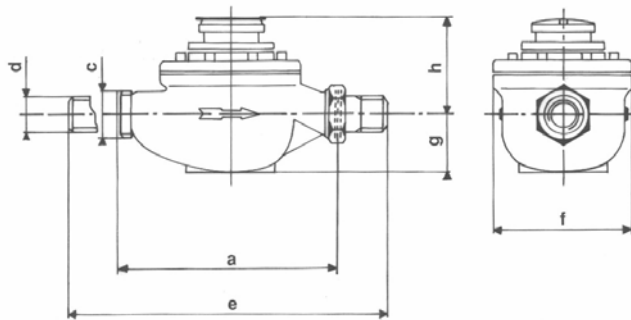


OIL FLOWMETERS



Oil Flowmeter - FRO Type with JIS 10K Flange (10 bar - 100°C)

ND	Flange Dia	Face-to-Face	Flow Range Light Oil	Flow Range Heavy oil
Φ 40mm	140mm	200mm	800 - 4500 ltr/hour	10 - 6000 ltr/hour
Φ 50mm	155mm	250mm	1500 - 9000 ltr/hour	250 - 13000 ltr/hour



Oil Flowmeter - VZO Type with Threads (16 bar - 130°C)

ND	Coupling Thread (d)	Body Thread (c)	Length without Coupling (a)	Normal Flow Rate
Φ 25mm	1" BSP-M	1-1/4" BSP-M	190mm	75 - 2000 ltr/hour
Φ 40mm	1-1/2" BSP-M	2" BSP-M	300mm	225 - 6000 ltr/hour