

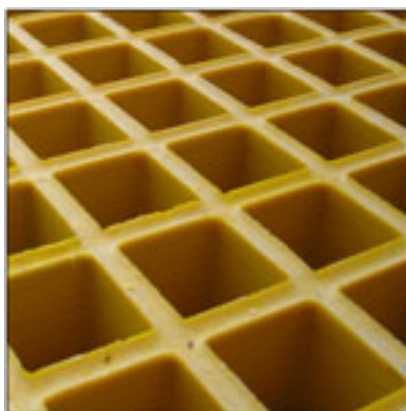
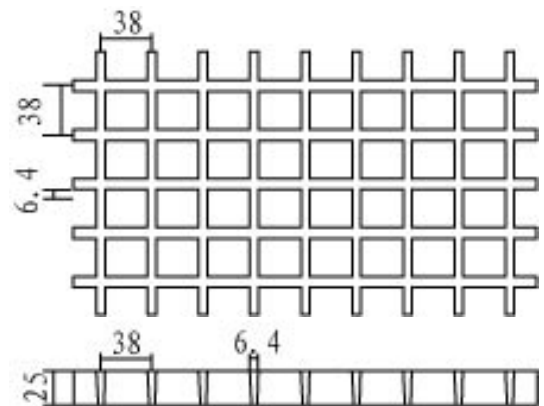
FRP GRATING

FRP GRATING

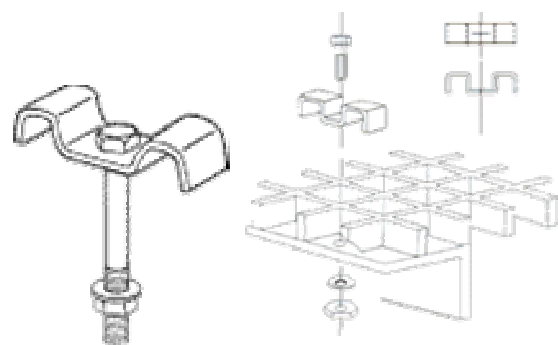
IFR-25 is a premium FRP Resin with a flame spread rating of 25 or less. Type IFR-25 provides a good level of chemical resistance and is the correct resin choice for grating subjected to splash and spill contact with harsh chemicals, and is a very good general purpose resin.



| FRP GRATING | Type IFR-25 |
|-------------------------------------|---------------------------|
| Mesh | 38x38mm |
| Thickness | 25mm |
| Available Panels | 1220x3660mm - 1220x1220mm |
| Color | Dark Gray |
| Surface | Concave Top |
| Corrosion Resistance | VERY GOOD |
| Flame Spread Rating ASTM E84 | Class I, 25 or less |



Concave Top for Slip Resistance

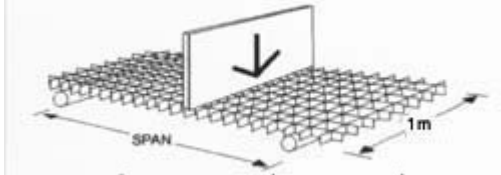


Type M Hold Down Clips

Designed to fix grating on support structure & prevent it from turning in all four directions.

FRP GRATING - LOAD TABLES

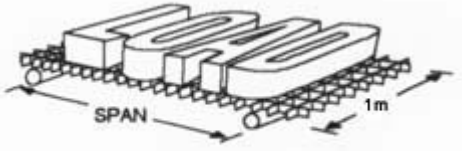
CONCENTRATED LINE LOAD TABLE - DEFLECTION IN mm



Concentrated Line Load

| SPAN IN mm | STYLE | LOAD IN KGS/M OF WIDTH | | | | | | Break Point |
|------------|---------|------------------------|--------|--------|-------|-------|-------|-------------|
| | | 75 | 149 | 298 | 447 | 596 | 745 | |
| 457 | 25x38SM | 0.559 | 1.143 | 2.159 | 3.073 | 4.115 | 4.75 | 3910 |
| 610 | 25x38SM | 0.864 | 1.702 | 3.505 | 5.156 | 6.706 | 8.179 | 2924 |
| 914 | 25x38SM | 2.896 | 5.918 | 12.116 | 18.44 | | | 1948 |
| 1067 | 25x38SM | 4.597 | 9.398 | 19.253 | | | | 1617 |
| 1219 | 25x38SM | 5.715 | 11.633 | | | | | 1461 |

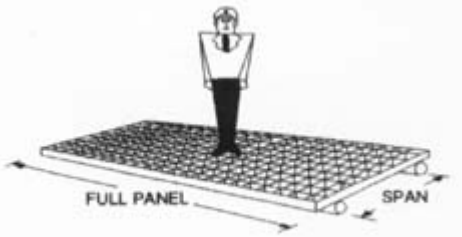
UNIFORM LOAD TABLE - DEFLECTION IN MM



Uniformed Load

| SPAN IN mm | STYLE | LOAD IN KGS/Square Meter | | | | | | | |
|------------|---------|--------------------------|--------|--------|--------|--------|--------|--------|------|
| | | 244 | 489 | 977 | 1466 | 1955 | 2444 | 3665 | 4887 |
| 457 | 25x38SM | 0.66 | 1.092 | 1.93 | 2.769 | 3.607 | 4.47 | 6.579 | |
| 610 | 25x38SM | 1.118 | 2.108 | 4.14 | 6.172 | 8.179 | 10.211 | 15.265 | |
| 762 | 25x38SM | 2.667 | 5.387 | 10.82 | 16.281 | 21.717 | | | |
| 914 | 25x38SM | 5.537 | 11.176 | 21.717 | | | | | |
| 1067 | 25x38SM | 10.287 | 20.752 | | | | | | |

CONCENTRATED FULL PANEL LOAD-1220x3660 Deflection in MM



CONCENTRATED FULL PANEL LOAD

| SPAN mm | STYLE | KGS | | | | | | | |
|---------|--------------|-------|-------|--------|--------|-------|-------|--------|--|
| | | 149 | 372 | 745 | 1117 | 1490 | 2234 | 2979 | |
| 457 | 25.4x38.1 SM | 0.254 | 0.686 | 1.55 | 2.159 | 2.667 | 4.166 | 5.232 | |
| 610 | 25.4x38.1 SM | 0.734 | 1.651 | 3.175 | 4.623 | 6.121 | 9.119 | 12.116 | |
| 914 | 25.4x38.1 SM | 1.778 | 4.445 | 8.814 | 13.157 | | | | |
| 1219 | 25.4x38.1 SM | 2.946 | 7.544 | 15.062 | | | | | |